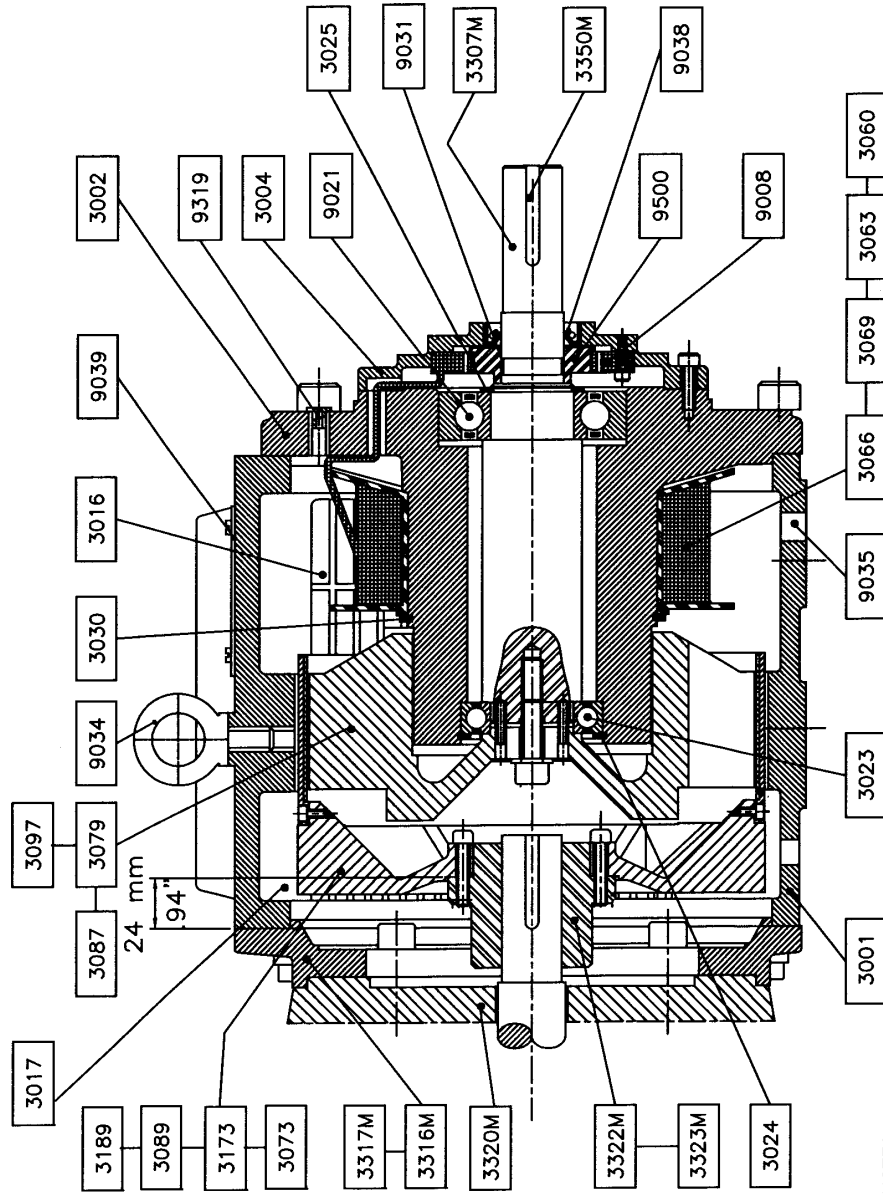
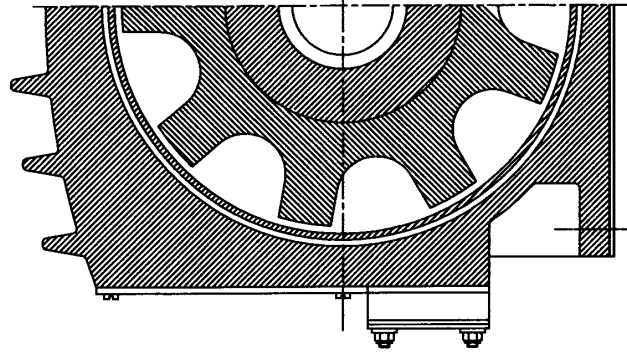
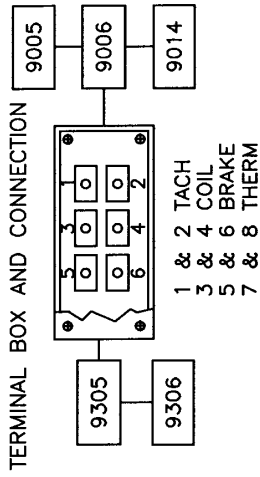


TORSPEC MODEL 132TCD-METRIC PARTS DIAGRAM



NOTES:
 NOT SHOWN:
 3501, 03 DEBRIS COVERS
 3325M INPUT ASSEMBLY
 33314M OUTPUT FLANGE
 3302, 03 TOTALLY ENCLOSED COVERS

TORSPEC INTERNATIONAL INC.	132TCD CLUTCH UNIT - METRIC	
	BASIC UNIT - FOOT MOUNTED	
	File: Instr_132/132assyM	March/02 R# 1