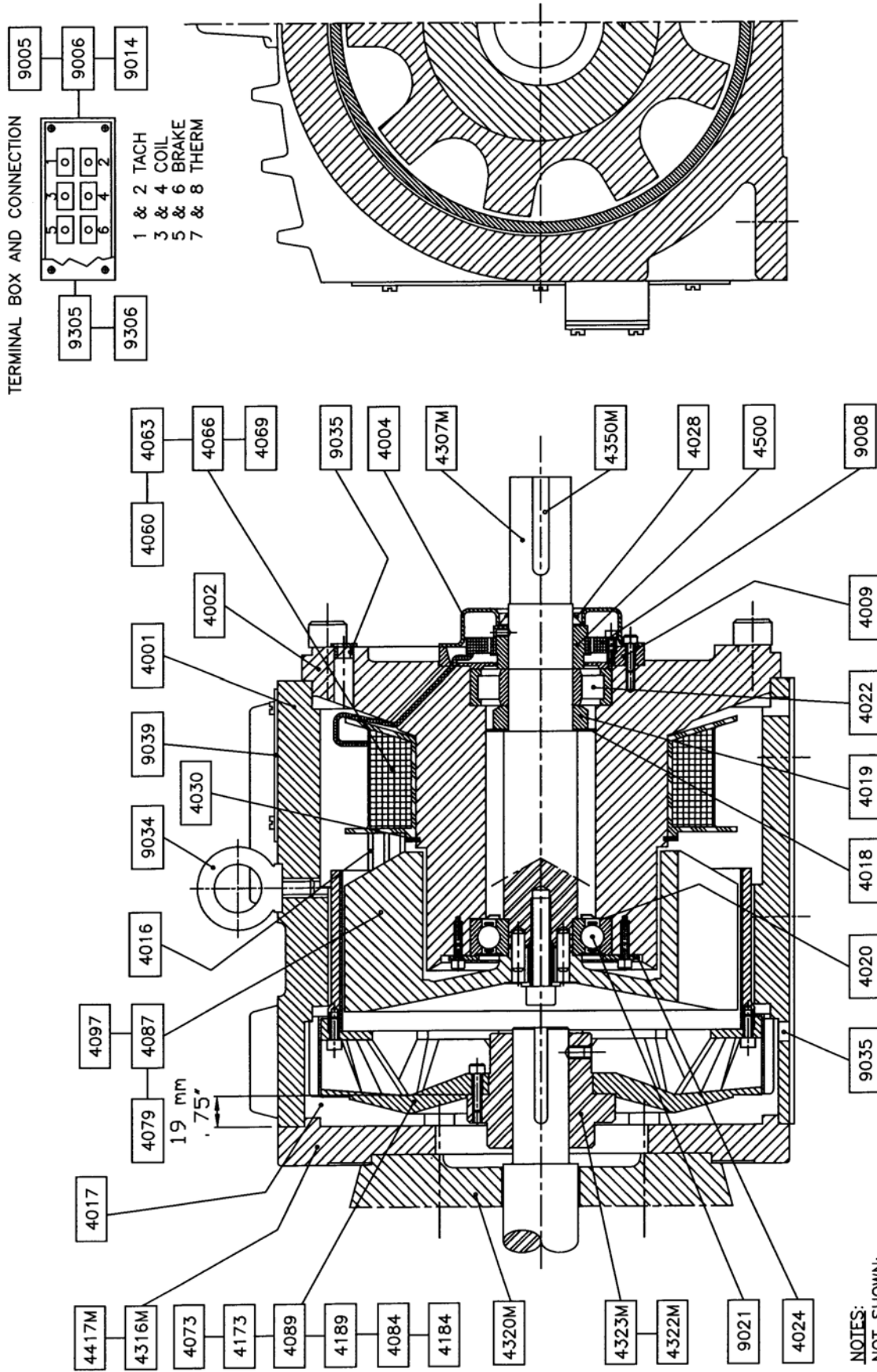


TORSPEC MODEL 160TCD-METRIC PARTS DIAGRAM



- NOTES:**
 NOT SHOWN:
 4317M OUTPUT SHAFT
 4314M D132 FLANGE
 4325M INPUT ASSEMBLY
 4302.03 TOTALLY ENCLOSED COVERS
 4501, 02, 03, 04 DEBRIS COVERS

TORSPEC
INTERNATIONAL INC.

160TCD CLUTCH UNIT - METRIC
BASIC UNIT - FOOT MOUNTED

File: Instr_160/160assyM March/02 R# 1