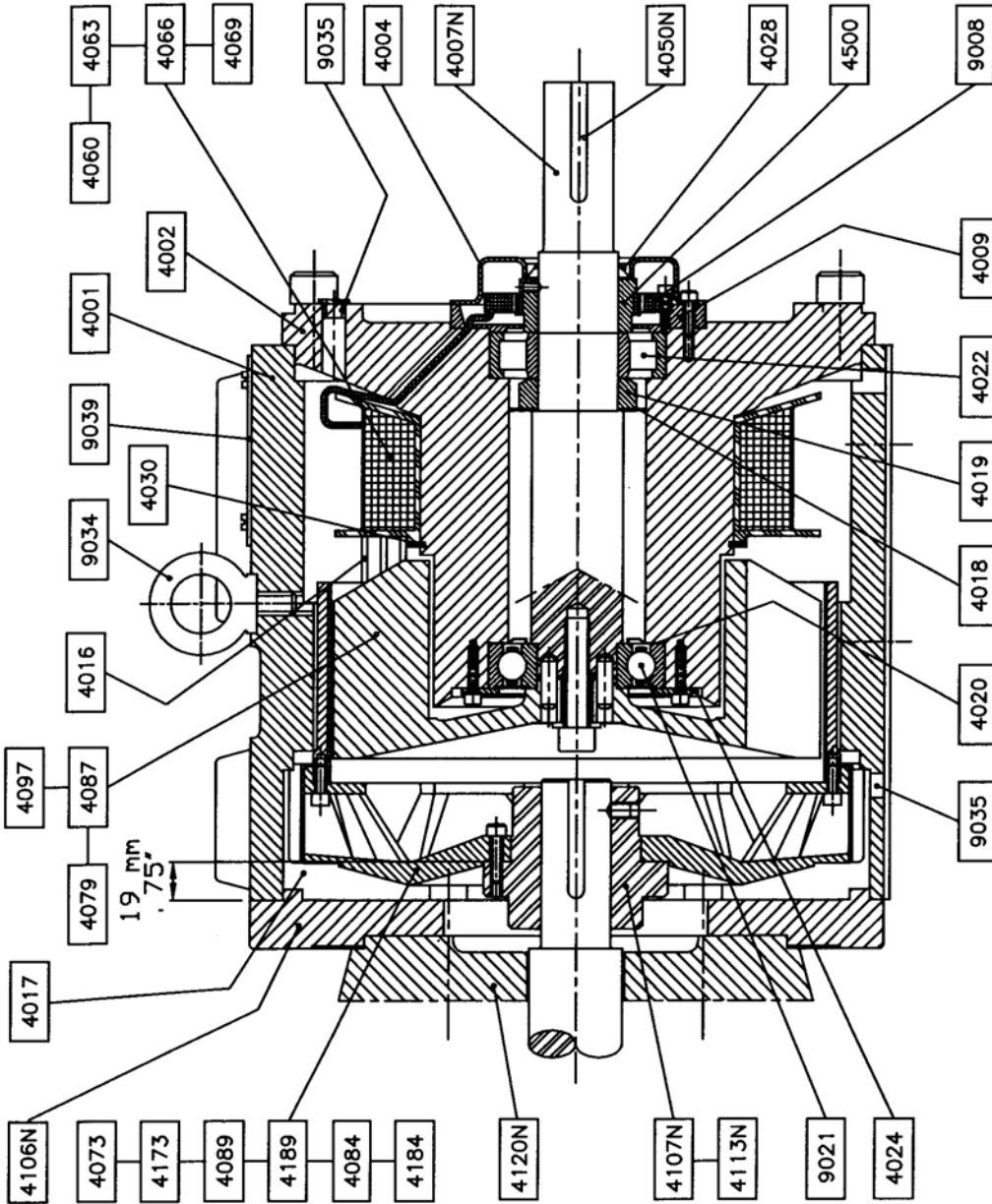
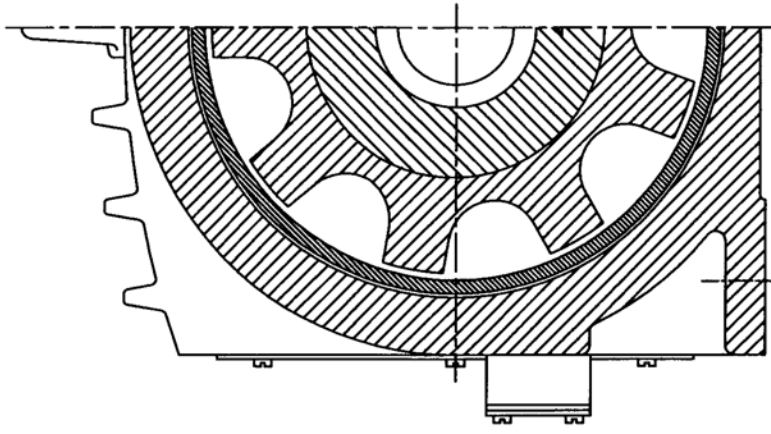
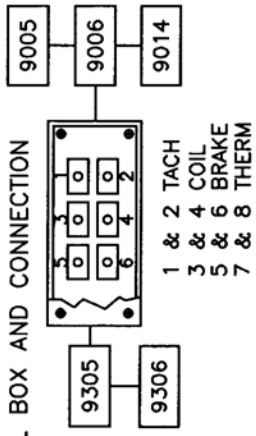


TORSPEC MODEL 160TCD-NEMA PARTS DIAGRAM



NOTES:

NOT SHOWN:

- 4115N OUTPUT FLANGE
- 4324 INPUT ASSEMBLY
- 4302,03 TOTALLY ENCLOSED COVERS
- 4501, 02, 03, 04 DEBRIS COVERS

TORSPEC™ INTERNATIONAL INC.	
160TCD CLUTCH UNIT - N.E.M.A. BASIC UNIT - FOOT MOUNTED	File: Instr_.160/160assyN March/02 R# 1