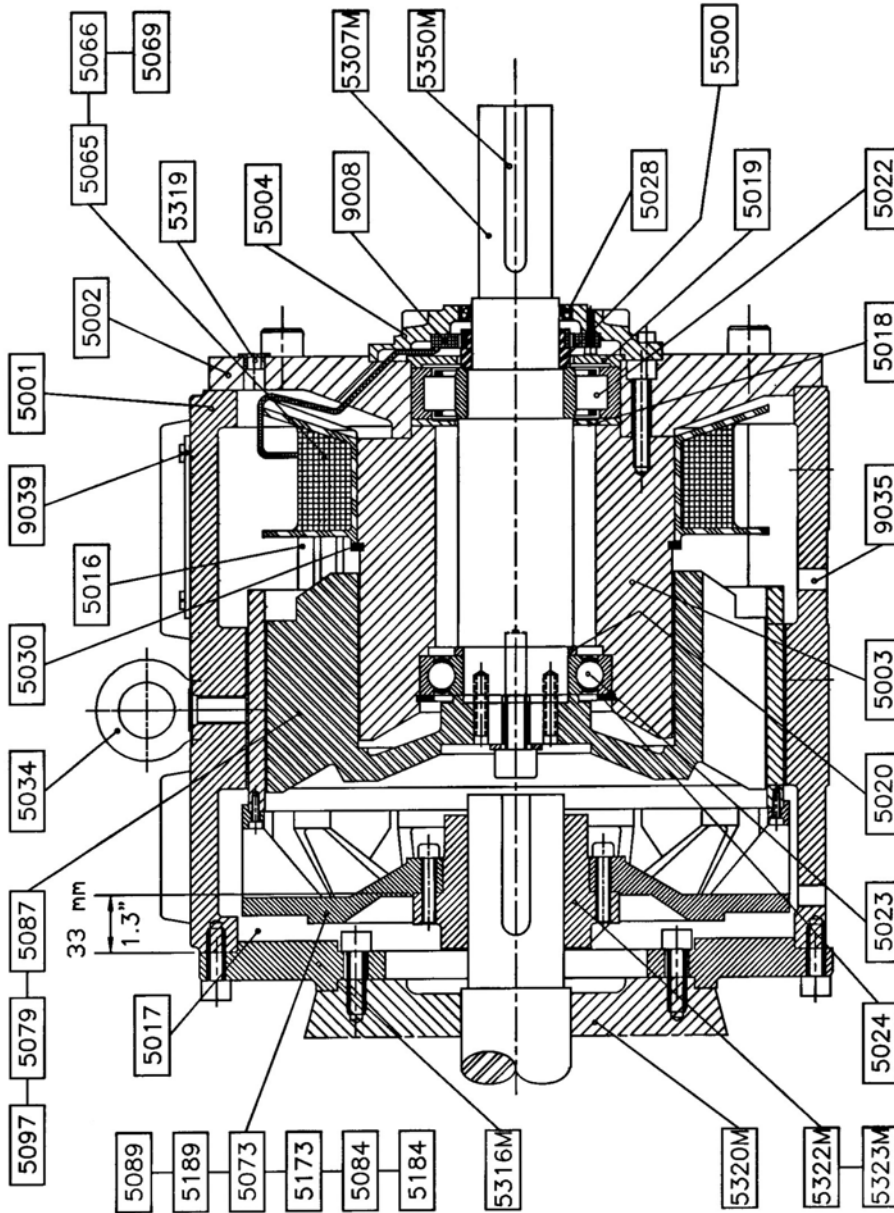
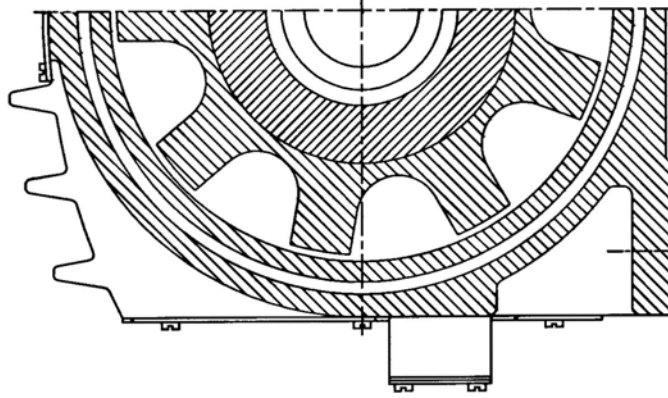
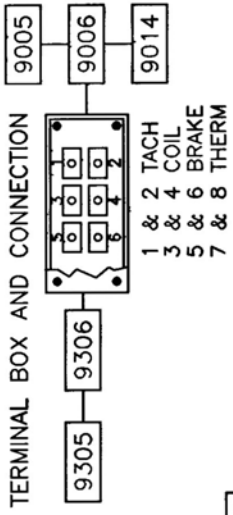


# TORSPEC MODEL 180TCD-METRIC PARTS DIAGRAM



<b>TORSPEC</b> INTERNATIONAL INC.	180TCD CLUTCH UNIT – METRIC BASIC UNIT – FOOT MOUNTED	Oct./ 2001 Rev# 1

- NOTES:  
 NOT SHOWN:  
 5008M SHAFT SPACER F1  
 5314M D160 FLANGE  
 5317M OUTPUT SHAFT  
 5325M INPUT ASSEMBLY  
 5302.03 TOTALLY ENCLOSED COVERS  
 5501, 02, 03, 04 DEBRIS COVERS