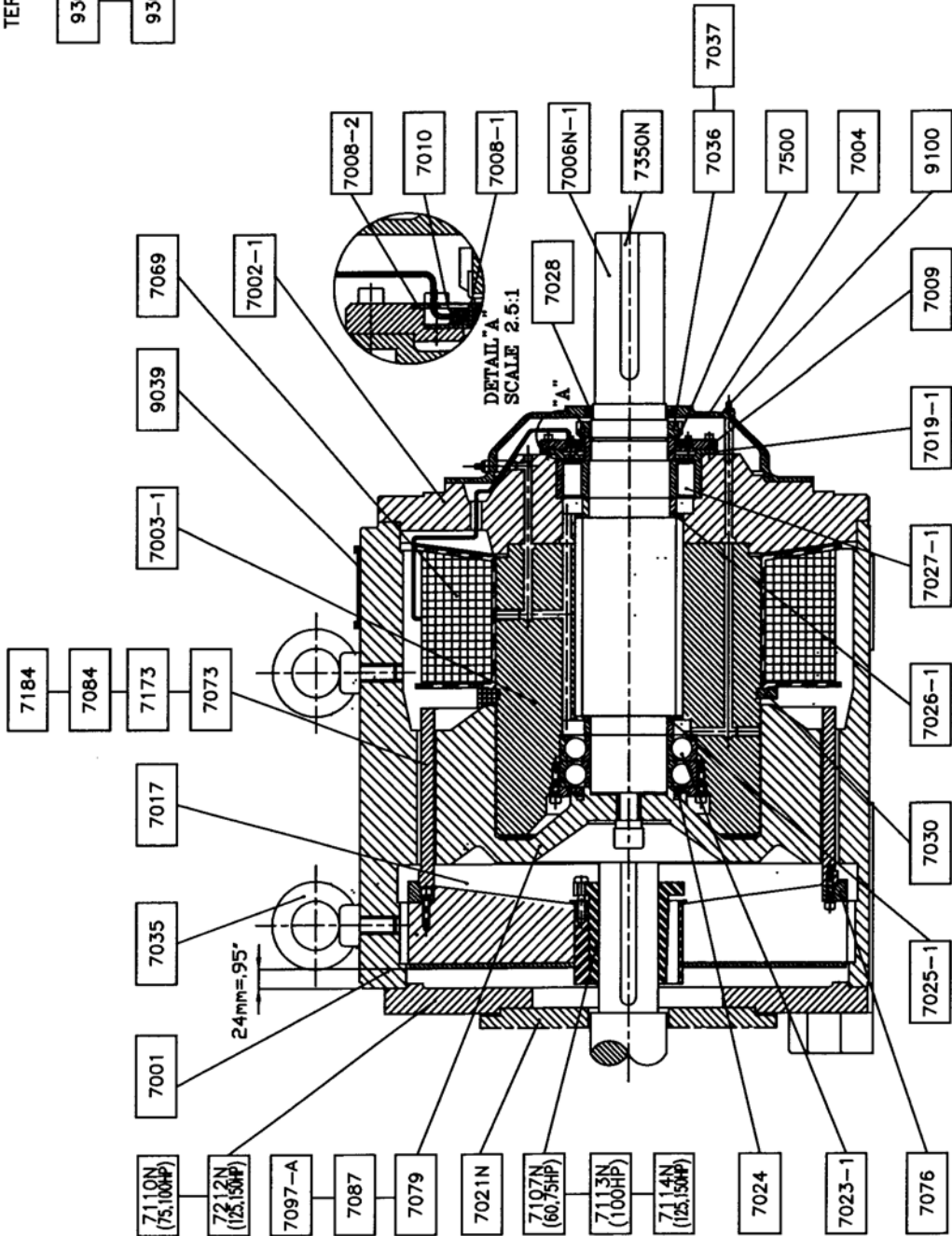
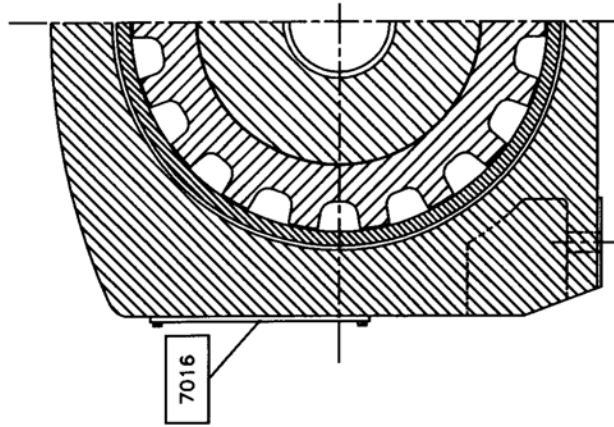
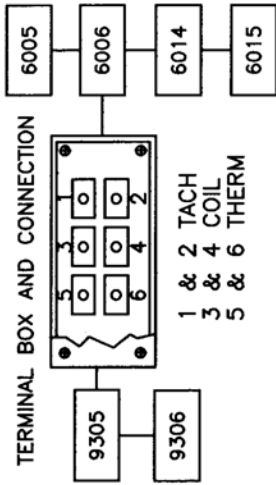


TORSPEC MODEL 305TCD-NEMA PARTS DIAGRAM



	305TCD-1 CLUTCH - N.E.M.A. BASIC UNIT - FOOT MOUNTED
	Feb/2002 Rev#2