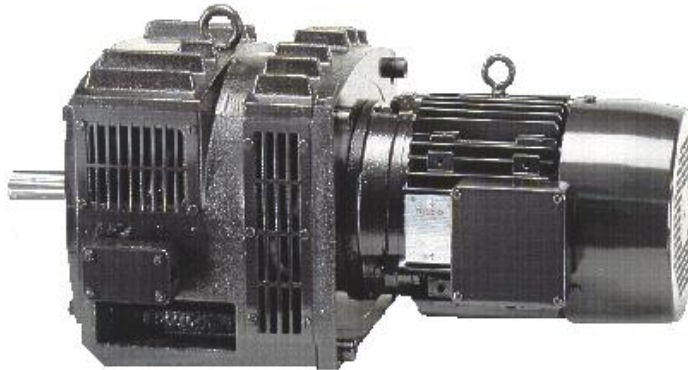


# **TORSPEC™** VARIABLE SPEED DRIVE

## INSTALLATION AND MAINTENANCE INSTRUCTIONS

### TORSPEC MODEL 280TCD-M

#### TORSPEC VARIABLE SPEED DRIVES



**SIMPLE - RUGGED - RELIABLE**

#### **WARNING**

*Disconnect all incoming power before working on this equipment.*

*Follow power lockout procedures.*

*Use extreme caution around electrical equipment.*

*Do not touch the circuit board while power is applied.*

# **TORSPEC™**

Torspec International Inc.  
15 Cargill Drive  
Seguin, Ontario, Canada P2A 0B2  
Phone: (416) 213-1026  
Fax: (705) 732-4466  
E-mail: [sales@torspec.com](mailto:sales@torspec.com)

Torspec International (USA) Inc.  
13507-C East Boundary Road  
Midlothian (Richmond), VA U.S.A. 23112  
Phone: (804) 744-5521  
Fax: (705) 732-4466  
E-mail: [info@torspec.com](mailto:info@torspec.com)

Web-Site: [www.torspec.com](http://www.torspec.com)

*Manufacturers & Suppliers of World Class Quality Variable Speed Drives & Controls*

# TORSPEC MODEL 280TCD-M DISMANTLING INSTRUCTIONS

**CAUTION** - BE SURE TO DISCONNECT POWER AND FOLLOW LOCK-OUT PROCEDURES AS SPECIFIED BY LAW **BEFORE** OPENING ANY TERMINAL BOXES OR TOUCHING ANY WIRING.

D1: Open terminal box and disconnect clutch wires from terminal block. **EXTREME CAUTION** should be exercised with the small wires going to the tach generator, as they can be easily broken.

*Hint: (Look for broken wires, or poor connections.)*

D2: Remove motor from clutch assembly by removing 4-M24 socket head cap screws and by supporting motor with the crane or forklift truck.

D3: Remove Torque Tube by unscrewing the grub screws in keystone and shaft positions. Remove 3 screws 3/8" hex head bolts and use 2 of the bolts to jack off the tube from the inner split bushing. Remove Motor Adapter from Motor by removing 8-M16 hex head bolts.

*Hint: (Look for pitting and/or lifting of the copper lining on the torque tube, this is what transmits the power and damage here will cause the drive to be short of power)*

D4: Stand the clutch with shaft pointing upwards. Remove 4-M20 hex head bolts and lift stator flange out of casing using 1-M20 eyebolt in the end of the output shaft. Remove output assembly while feeding wires through the hole, once the wires are free, the output assembly can be completely removed. Remove 1-M24 hex head bolt from the Polewheel and use M30 hex head bolt to jack the polewheel off the 4-M10 X50 slotted spring pins.

*Hint: (Look for physical damage, remove any build up of foreign material on polewheel which could cause binding. Binding will cause the drive to run at full speed when the motor is started even if the clutch is turned off.)*

D5: To separate the coil and tach wires, cut the waxed string and carefully slide the rubber tube off. If the tach is being replaced, a string or small wire tied to the old tach wires before removing can be used to assist in pulling in the new wires.

*Hint: (Look for broken wires, tach should be 220 Ohms, a bad tach will cause the drive to run at full speed when the controller is energized.)*

D6: Remove 3-M6 socket head screws from the 3 coil retainer blocks from the stator body. Carefully cut the silicon, which is holding the coil former to the stator flange and remove coil former. **Care must be taken, not to damage the coil if it is not to be replaced. The coil former is breakable.** *Hint: (Look for physical damage, signs of overheating, coil should be around 20 ohms depending on size. Low resistance will cause the control fuses to blow, too high will result in poor performance.)*

D7: Remove the output cover by removing the 4-M8 socket head bolts. Remove the 8-M6 hex head bolts securing the tachogenerator plate and front bearing plate, and lift up over the shaft. Remove tach hub by removing 3-M6 socket grub screws. **Be sure not to damage the magnetic strip.**

*Hint: (Look for broken magnetic strip, this will give the same symptoms as a bad tach.)*

D8: Remove rear bearing clamp plate and draw the shaft out of the assembly from the polewheel side by pressing on the tach side of the shaft. Remove the front bearing inner race and bearing spacer.

D9: Remove the front bearing outer race.

D10: The two rear ball bearings can now be pressed off the shaft.

# TORSPEC MODEL 280TCD-M ASSEMBLY INSTRUCTIONS

## USE A THREAD LOCKING COMPOUND ON ALL BOLTS

- A1: Assemble Stator Flange to the Stator body using 6-M20x 110 socket head cap screws. Ensure that the top and bottom grease line holes are located properly.
- A2: Mount the pre-greased outer roller front bearing into the output assembly (stator flange).
- A3: Place the front bearing grease spacer and press the inner race onto the shaft. Place the rear grease spacer and press the pre-greased matched pair, ball bearings (rear bearings) onto the back of the shaft. Make sure to press on the inner race only and ensure correct faces match (face to face or 'X').
- A4: Insert the shaft assembly into the output assembly (stator body) from the polewheel side by pressing on the outer rear bearing. Secure rear bearing by bearing back plate using 8-M6x25 socket head cap screws.
- A5: Place front bearing plate over shaft and locate over front bearing.
- A6: Assemble 3 pieces tacho-generator onto tacho-generator plate and secure using 4-M4x16 hex head bolts and 4-M4 flat washers.
- A7: Place tacho assembly over shaft and locate on front bearing plate. Secure both to stator flange using 8-M6x35 hex head bolts and 6-M6 flat washers.
- A8: Place tacho hub (magnet) assembly over shaft into tachogenerator assembly. Ensure that magnet is in line with poles on tacho-generator and secure it using 3-M6x20 socket set grub screws with cone point.
- A9: Fit oil seal to output cover and fit cover over shaft onto stator flange. Secure it using 4-M8x20 socket head cap screws.
- A10: Fit grease inlet tube through hole in the bottom of front face of output cover and screw it into threaded drain port on stator flange. Fit inlet grease nipple onto threaded hole on stator flange.
- A11: Apply silicone to 4 areas on underside of stator flange. Place coil over stator body and press firmly onto stator flange. Secure it with 3 coil retainer blocks using 3-M6x50 socket head cap screws. Thread tacho-generator wires and coil wires through 2 rubber insulation tubes and tie off with waxed twine.
- A12: Fit 4-M10x50 slotted spring pins in holes on the bottom of shaft. Place polewheel on stator body and locate on the 4 slotted spring pins and secure it using 1-M24x75 hex head bolt and 1-M24 flat washer. Torque the polewheel bolt to 360 foot pounds.
- A13: Fit 2-M24 lifting eyebolts to casing. Place stator body assembly into casing using a M20 eyebolt in the end of shaft, thread the 2 rubber insulation tubes through the hole on the side of the casing (coil wires and tacho wires are at the top of stator flange and are wrapped around the coil). Secure output assembly using 4-M20x65 hex head bolts.
- A14: Cut coil, tach and thermistor wires to desired length (approx. 5" is standard), and attach terminal connections. Fit terminal block using 1-M4x16 socket head screw and secure wires according to wiring instructions.

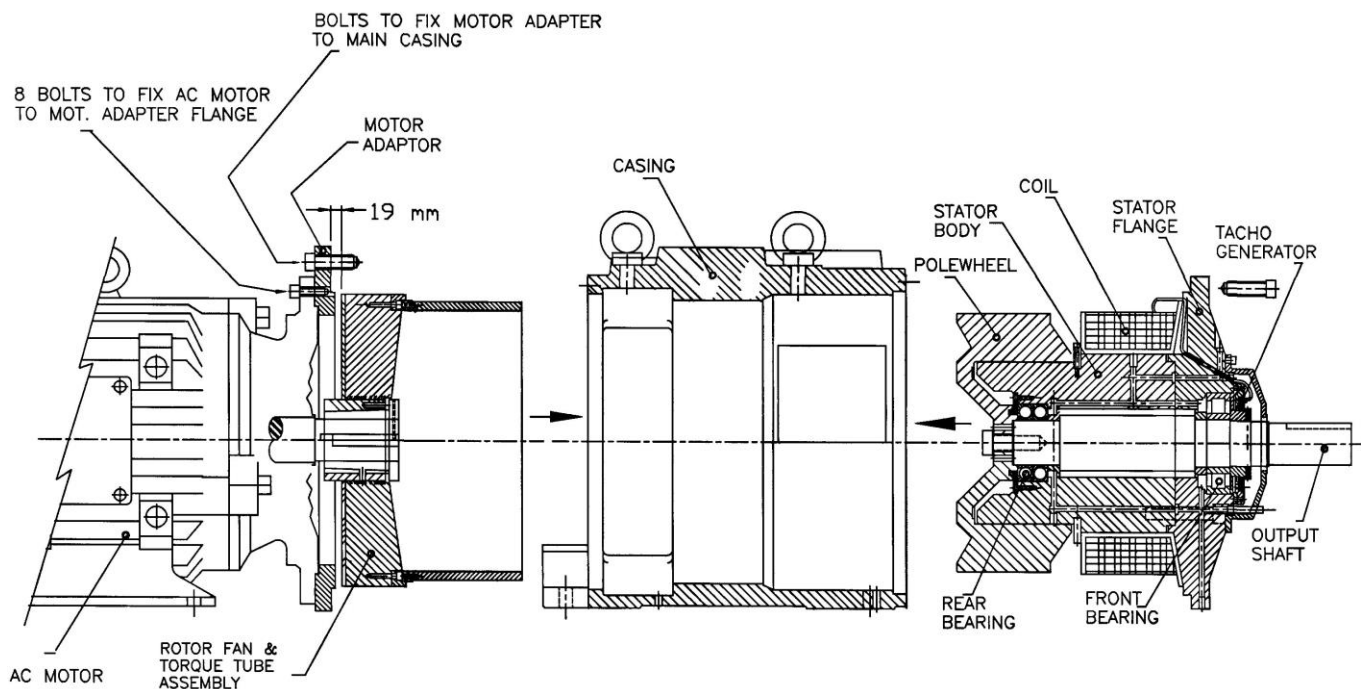
A15: Assemble front inlet grills using 8-M6x10 pan head screws; assemble rear outlet grills using 16-M6X10 pan head screws. Assemble terminal box using 4-M15x12 socket head screws, fit 1 terminal blanking plate to casing on the opposite sided of casing to terminal box, using 4M5x8 pan head screws.

A16: Mount the motor adapter flange onto the motor with the flat on the bottom using 8-M16x50 hex head bolts.

A17: Mount the torque tube assembly (tube, rotor fan, split bushing) onto the motor shaft. Use 19 mm distance as reference while mounting torque tube assembly. This is distance from fitting face of Motor Adapter (edge) to back steel plate of Rotor Fan (shown on drawing). Lock on shaft by 1-M10 grub screw and lock on keystone by 1 grub screw. **This is critical for proper drive operation.**

A18: Fit Motor assembly to Clutch casing using 4-M24x55 socket head cap screws.

**Notes: \* Bearings re-lubrication should be performed on regular basis depending on operating Conditions. (We recommed using grease Replex 2).**





# TORSPEC MODEL 280 TCD-M PARTS LIST

#	P/N	DESCRIPTION	FIXED TO
1	8001	CASING	
2	8002	STATOR FLANGE	CASING BY 4-M20 x 65 HEX HD BOLTS
3	8003	STATOR BODY	STATOR FLANGE BY 6-M20x110 SOCKET HD CAP SCREWS
4	8004	OUTPUT COVER	STATOR FLANGE BY 4 - M8 x 20 SOCKET HD CAP SCREWS
5	8307M	METR. OUT.SHAFT d=70mm (D250)	POLEWHEEL BY 4 - M10 X 50 SLOTTED SPRING PINS; CODE S1
6	8350M	KEYSTOCK 20 x 12 x 110 Lngth	
7	8316M	MOTOR ADAPTER D250	CASING BY 4 - M24 x 55 SOCKET HEAD BOLTS
8	8317M	MOTOR ADAPTER D280	CASING BY 4 - M24 x 55 SOCKET HEAD BOLTS
9	8318M	MOTOR ADAPTER D225	CASING BY 4 - M24 x 55 SOCKET HEAD BOLTS
10	8319M	MOTOR ADAPTER (D280-ANTRIEBE AG)	CASING BY 4 - M24 x 55 SOCKET HEAD BOLTS
11	8009	TACHO PLATE	STAT. FLANGE BY 8 - M6 x 35 HEX HEAD BOLTS
12	8500	TACHO HUB	SHAFT BY 3-M6x20 SOCK. SET (GRUB) SCREW -CONE POINT
13	8016	MESHED GRILL SMALL	CASING BY 4 - M6 x 10 PAN HEAD SLOTTED SCREWS
14	8017	MESHED GRILL LARGE	CASING BY 8 - M6 x 10 PAN HEAD SLOTTED SCREWS
15	8019	FRONT BEARING PLATE	STAT. FLANGE BY 8 - M6 x 35 HEX HEAD BOLTS
16	8024	BACK BEARING PLATE	STATOR BODY BY 8 - M6 X 25 SOCKET HEAD CAP SCREWS
17	8025	INNER SEAL SPACER - BACK BEARING	ON SHAFT
18	8026	INNER SEAL SPACER - FRONT BEARING	ON SHAFT
19	8030	COIL BLOCK	STAT. BODY BY 3 - M6 x 50 SOCKET HD CAP SCREWS
20	8065	COIL	STATOR BODY BY 3 COIL BLOCKS (P/N 8030)
21	8079	POLEWHEEL STANDARD	SHAFT BY 1 - M24 x 75 HEX HEAD BOLT & 1 - M24 PLAIN WASHER
22	8087	POLEWHEEL REDUCED	SAME AS P/N 8079
23	8097	POLEWHEEL REDUCED/W AXIAL BLADES	SAME AS P/N 8079
24	8400	OUTLET GREASE TUBE	
25	7008-1	TACHO CASING-1	TACHO PLATE BY 4-M4x6 SOCK. HD CAP SCR. & 4-M4 FLT WASH.
26	7008-2	TACHO CASING-2	TACHO PLATE BY 4-M4x6 SOCK. HD CAP SCR. & 4-M4 FLT WASH.
27	7010	TACHO COIL FORMER	
28	8023	ANGULAR CONTACT BALL BEAR (SING.) X2 "FACE TO FACE"	7215 B.MP.UA
29	8027	CYLINDRICAL ROLLER BEARING	NU316 E.MI
30	8028	OIL SEAL 75x90 x 10 TC	
31	9305	TERMINAL BLOCK 4 WAY	CASING BY 1 - M5 x 12 SOCKET HEAD CAP SCREWS
32	9306	TERMINAL BLOCK 6 WAY	CASING BY 1 - M5 x 12 SOCKET HEAD CAP SCREWS
33	6005	TERMINAL BOX	CASING BY 4 - M5 x 12 SOCKET HEAD CAP SCREWS
34	6006	TERMINAL BOX LID	CASING BY 4 - M5 x 12 PHILLIPS PAN HEAD SCREWS
35	6014	TERMINAL BOX LID GASKET	
36	6015	TERMINAL BOX GASKET	
37	8334M	SPLIT TAPER BUSH. R2 (D225-60mm)	TO ROTOR FAN BY 3 -3/8-1.25 SCREWS & KEYED TO METR. SHAFT
38	8335M	SPLT TAPER BUSH. R2 (D250-65mm)	TO ROTOR FAN BY 3 -3/8-1.25 SCREWS & KEYED TO METR. SHAFT
39	8336M	SPLT TAP. BUSH.R2 (D280-75mm)	TO ROTOR FAN BY 3 -3/8-1.25 SCREWS & KEYED TO METR. SHAFT
40	9035	PLASTIC PLUG #12	CASING DRAIN HOLES BY 2 - #12 PLASTIC PLUGS
41	9039	NAME PLATE	CASING BY 4 - ST3.5 x 6.5 MM PAN HD TAPPING SCREWS
42	8035	M24 LIFTING EYEBOLT	TOP OF CASING
43	9501	ARMATURE STRIP EPOXIED TO HUB	TACHO HUB
44	8402	INLET GREASE NIPPLE 1/8" NPT	STAT. FLANGE (GREASE CHANNEL)
45	8073	TORQUE TUBE/ROTOR ASSY- 4 POLE,	SPLIT TAPER BUSHING "R2" BY 3 - 3/8" - 1.25" SCREWS & KEYED TO SHAFT
46	8173	TORQUE TUBE/ROTOR ASSY- 4 POLE (NICKEL PLATED)	SAME AS P/N 8073
47	8084	TORQUE TUBE/ROTOR ASSY- FAN DRIVE	SAME AS P/N 8073
48	8184	TORQUE TUBE/ROTOR ASSY- FAN DRIVE (NICKEL PLATED)	SAME AS P/N 8073
49	8320M	METRIC MOTOR	SEE NAME PLATE

## DRIVE FEET MOUNTING PROCEDURES

F1: Push slotted Shims under the Coupling lowest mounting feet and moderately tighten the Bolts

F2: Align the unit. Insert Feeler Gauges under the remaining feet during the alignment process to level the unit.

F3: Replace feeler gauges with equal thickness of slotted Shims. Use a few thick shims rather than a large number of thin shims.

F4: Alternately tighten Bolts.

F5: Recheck alignment and change shims as required.

F6: Push slotted Shims under AC Motor mounting feet and moderately tighten the bolts.

### Note:

*-The decision to mount (bolt) the Motor feet should be based on the application dynamics. (I.e. vibration/support). It is not always necessary to mount the motor feet and is specifically motor size related.*

*-When Drives are purchased on base, base must also be leveled and secured.*

### Warning:

***Failure to properly mount and level drive unit may result in distortion to the drive housing, torque tube, mechanical failure, misalignment, and premature bearing wear.***

### V-BELT DRIVE

- Sheaves should be installed on the shaft before mounting the unit.
- Do not pound sheaves on shaft as you may damage drive bearings.
- Align sheaves carefully to avoid axial thrust on drive bearings.
- The sheave on drive shaft should be positioned as close as possible toward the drive bearing.
- Sheaves and belts should be in accordance to METRIC Spec. IEC or ISO Standards.
- When adjusting belt tension, make sure the drive (clutch) is secured by all mounting bolts before tightening belts.
- Adjust belt tension to belt manufacturer recommendations. Excessive tension will decrease bearing life.